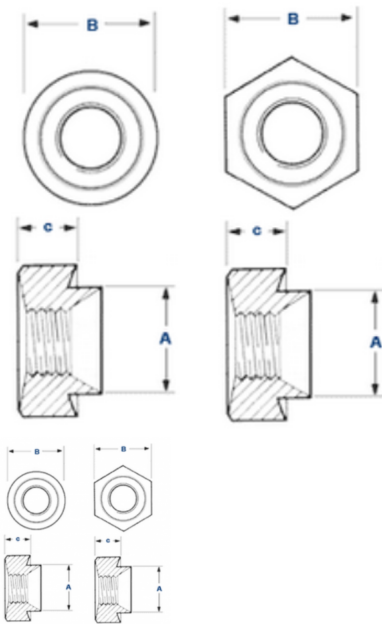


## Rivet Bush Round and Hex



Rating: Not Rated Yet

Price:

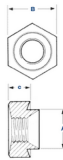
24 h  
★★★★

[Ask a question about this product](#)

### Description

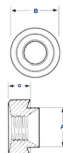
HEXAGONAL RIVET BUSH

THREAD FORM RANGE	M2.5	M3	M3.5	M4	M5	M6	M8	M10	M12
BSWF	1	1/8"	2	5/32"	3/16"	1/4"	5/16"	3/8"	1/2"
BA	8	8.5	4	5	2	0	160	60/64	60
UNC	2	4	6	8	10	14	5/16"	3/8"	1/2"
UNF	2	4	6	8	10	14	5/16"	3/8"	1/2"
DIAMETER OF SPIGOT A	METRIC 2.54 3.54 3.75 4.75 5.52 6.52 8.27 10.27 12.7 15.87 19.05	IMPERIAL 218 218 265 265 312 375 500 625 750							
WIDTH ACROSS FLATS B	METRIC 7.92 7.92 7.92 7.92 8.52 8.52 11.90 14.27 18.05 22.22	IMPERIAL 312 312 312 312 375 437 562 750 875							
DEPTH OF BODY C	METRIC 3.17 3.17 3.17 3.17 3.81 5.08 6.35 7.62 10.16	IMPERIAL 125 125 125 125 150 200 250 300 400							
RECOMMENDED HOLE SIZE	METRIC 3.54 3.54 3.75 3.75 4.52 5.52 6.52 8.27 10.27 12.7	IMPERIAL 218 218 265 265 312 375 500 625 750							



HEXAGONAL ROUND BUSH

THREAD FORM RANGE	M2.5	M3	M3.5	M4	M5	M6	M8	M10	M12
BSWF	1	1/8"	2	5/32"	3/16"	1/4"	5/16"	3/8"	1/2"
BA	8	8.5	4	5	2	0	160	60/64	60
UNC	2	4	6	8	10	14	5/16"	3/8"	1/2"
UNF	2	4	6	8	10	14	5/16"	3/8"	1/2"
DIAMETER OF SPIGOT A	METRIC 2.54 3.54 3.75 4.75 5.52 6.52 8.27 10.27 12.7 15.87 19.05	IMPERIAL 218 218 265 265 312 375 500 625 750							
WIDTH ACROSS FLATS B	METRIC 7.92 7.92 7.92 7.92 8.52 8.52 11.90 14.27 18.05 22.22	IMPERIAL 312 312 312 312 375 437 562 750 875							
DEPTH OF BODY C	METRIC 3.17 3.17 3.17 3.17 3.81 5.08 6.35 7.62 10.16	IMPERIAL 125 125 125 125 150 200 250 300 400							
RECOMMENDED HOLE SIZE	METRIC 3.54 3.54 3.75 3.75 4.52 5.52 6.52 8.27 10.27 12.7	IMPERIAL 218 218 265 265 312 375 500 625 750							



### Reviews

There are yet no reviews for this product.

